

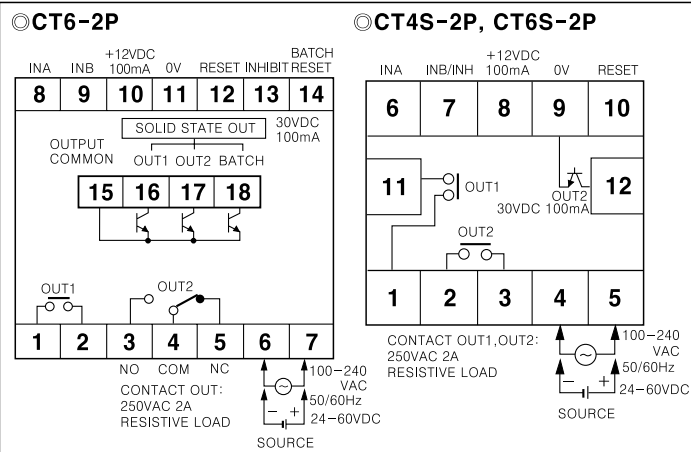
COUNTER/TIMER CT/CTS SERIES

www.DataSheet4U.com

Specification

Series	CT		CTS	
Digit	6		4 digit	6 digit
Model	Single preset	CT6	CT4S	CT6S
	Double preset	CT6-2P	CT4S-2P	CT6S-2P
	Indicator	CT6-I		CT6S-I
Power supply	AC power	100 to 240VAC 50/60Hz		
	DC power	24 to 60VDC		
Allowable operation voltage	90 to 110% of rated voltage			
CPS of INA, INB	Selectable 1cps, 30cps, 1kcps, 5kcps, 10kcps			
Input	Selectable voltage input or 0 volt input			
ONE SHOT output	Counter	10 / 50 / 100 / 200 / 500 / 1000ms		
	Timer	10 / 50 / 100 / 200 / 500 / 1000 / 2000 / 5000ms		
Control output	Contact	250VAC 2A at resistive load		
	Solid state	Max. 30VDC, Max. 100mA		
Memory retention	10 years (by semi-conduct)			
External sensor power	12VDC ±10%, 100mA Max.			
Ambient temperature	-10 to 55°C (at non-freezing status)			
Storage temperature	-25 to 65°C (at non-freezing status) □			
Ambient humidity	35 to 85%RH			
Timer operation	Repeat error	±0.01% to ±0.05sec at power on ±0.01% ±0.03sec at signal start		
	Set error			
	Voltage error			
	Temperature error			
Insulation resistance	Min. 100MΩ (at 500VDC mega) between current carrying terminals and non current carrying metal parts			
Voltage strength	2000VAC 50/60Hz for 1 minute			
Vibration	Mechanical	10 to 55Hz (cycle time: 1 minute) in 0.75mm double amplitude at X, Y, Z directions for 1 hour		
	Malfunction	0.5mm amplitude at frequency of 10 to 55Hz in each of X, Y, Z directions for 10 minutes		
Shock	Mechanical	300m/S ² (Approx. 30G)		
	Malfunction	100m/S ² (Approx. 10G)		
Life cycle	Mechanically	Min. 10,000,000 times		
	Electrically	Min. 100,000 times (250VAC 2A resistive load)		

Terminal connection



Prescale function

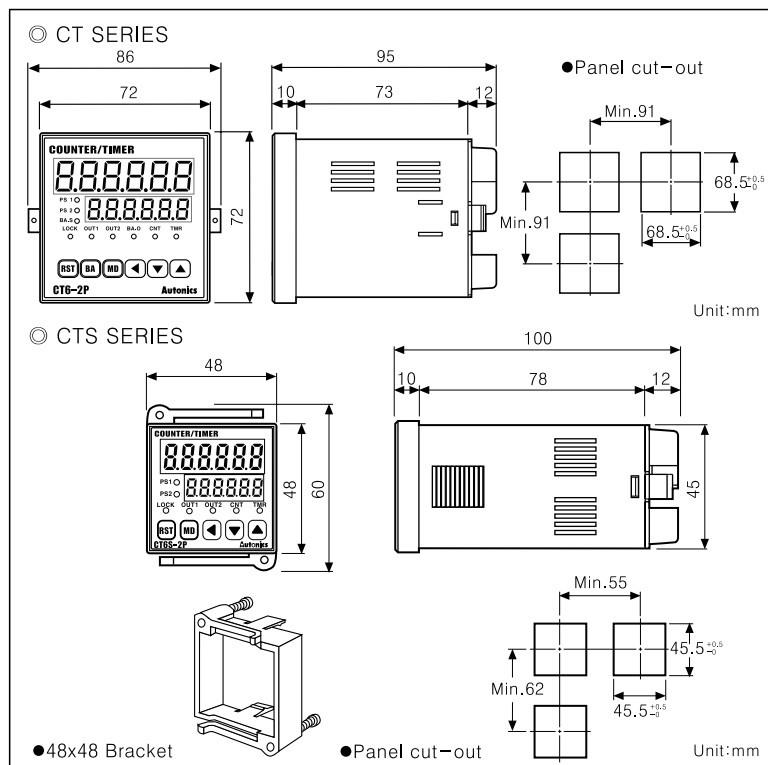
This function is to set and indicate calculated unit for actual length, liquid measure, position etc. it is called "Prescale value" for measured length, measured liquid, measured position, etc per 1 pulse. For example) Pulse number P is number of pulses per 1 revolution of rotary encoder. L is the desired length to be measured. Prescale value is desired length L/pulse number P generated by the rotary encoder. It is the length measured per 1 pulse.

●Control length by the counter and the rotary encoder

$$\begin{aligned} \text{Prescale value} &= \frac{\pi \times \text{Diameter of the Pulley (D)}}{\text{Pulse numbers per 1 revolution of the encoder}} \\ &= \frac{3.1416 \times 22}{1000} \\ &= 0.069\text{mm/pulse} \end{aligned}$$

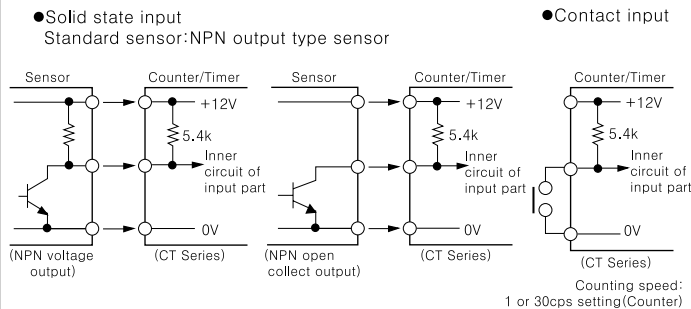
It is possible to control conveyor as 0.1mm unit to set 0.069 for Prescale value by pressing setting key in state of prescale value setting mode in function setting mode. Decimal point should be set the first decimal place in function setting Mode.

Dimension

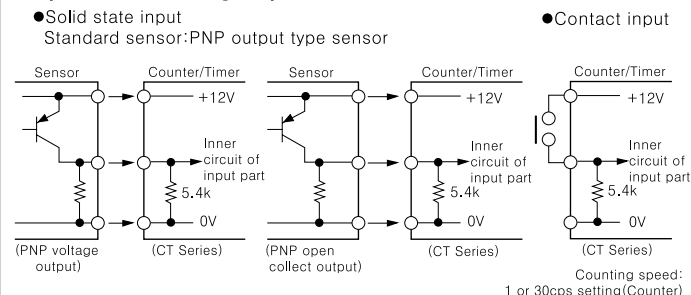


Connection of input

Input Method: "0" voltage input (NPN)



Input Method: Voltage input (PNP)



Main products

- COUNTER ●TIMER
- TEMPERATURE CONTROLLER ●PANEL METER
- TACHOMETER ●LINE SPEED METER
- PROXIMITY SWITCH ●PHOTOELECTRIC SENSOR
- ROTARY ENCODER ●OPTICAL FIBER SENSOR
- DISPLAY UNIT ●SENSOR CONTROLLER
- POWER CONTROLLER
- STEPPING MOTOR & DRIVER & CONTROLLER

- Head Quarter : 41-5, Yongdang-Ri, Uingsang-Up, Yangsan-Shi, Kyung-Nam, Korea 626-847
- Trade Department : 511 Ansong B/D, 410-13, Shindorim-dong, Kuro-Gu, Seoul, Korea 152-070
Tel: 82-2-679-6585 / Fax: 82-2-679-6556
- U. S. A Autonics : 1001 Butterfield Road Vernon Hills, Illinois 60061-1360 U. S. A
Tel: 847-680-8160 / Fax: 847-680-8155 / E-mail: separk3@dellepro.com
- Indonesia Office : 18th Fl. Wisma Bumiputera Bldg. Jl. Jend. Sudirman Kav. 75 Jakarta, 12910-Indonesia
Tel: 62-21-527-5232, 5233 / Fax: 62-21-527-5225 / E-mail: autonics@cbn.net.id
- Japan Autonics : Fukuda B/L, Hamamatsu-Cho 2-Chome, Minato-Ku, Tokyo, Japan 105-0013
Tel: 81-03-5405-7771 / Fax: 81-03-5405-7772 / E-mail: autonics@mx1.alpha-web.ne.jp

Autonics
www.autonics.co.kr

●The above specifications are changeable without any notice of anytime.