



# Retro Ref. Photoelectric Sensors



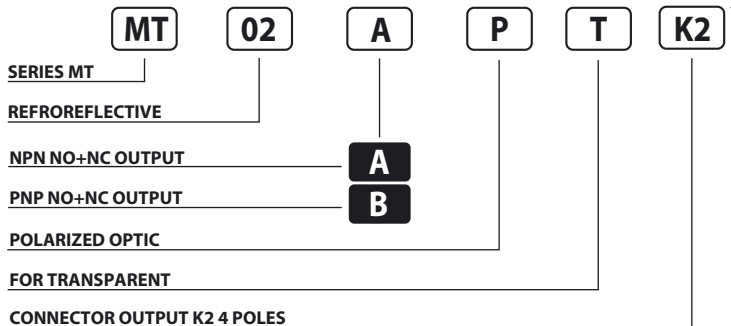
PHOTOELECTRIC SENSORS IN MINIATURE HOUSING 12 30 V DC NPN OR PNP OUTPUT

- Miniaturized housing
- Sensitivity adjustment
- Yellow LED - output indicator
- Green LED - stability indicator
- M8 connector output 4 poles

## MT Series



### Identification code



\* Available only with K2 (M8 4 poles connector)

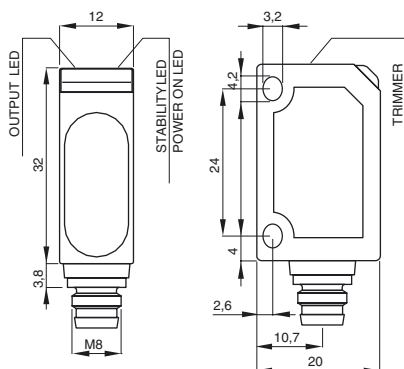
AVAILABLE	POLARIZED RETROREFLECTIVE	POLARIZED RETROREFLECTIVE FOR TRANSPARENT
NOMINAL SWITCHING DISTANCE (S <sub>n</sub> )	2 m <sup>(1)</sup>	0,1...0,7 m <sup>(1)</sup>
HOUSING MATERIAL	ABS	
OPERATING VOLTAGE	10-30 VDC	
RESIDUAL RIPPLE	< 2V <sub>pp</sub>	
ABSORPTION	< 35mA	
EMISSION	Red led 660 nm	Infrared LED 880 nm
MAX. OUTPUT CURRENT	100 mA	
VOLTAGE DROP	< 2V	
SWITCHING FREQUENCY	500 Hz	
RESPONSE TIME	1 mS	
SENSITIVITY ADJUSTMENT	Present	
LED	Present	
LIGHT IMMUNITY	> 5000 Lux <sup>(2)</sup>	
PROTECTION DEGREE	IP 66	
TEMPERATURE LIMITS	-25/+55°C	
REVERSE POLARITY PROTECTION	Present	
SHORT CIRCUIT PROTECTION	Present	
START UP DELAY	< 300 mS	
CONNECTION	M8 Connector (4 poles)	
WEIGHT	26 g	

<sup>(1)</sup> Determined with CT04S reflector.

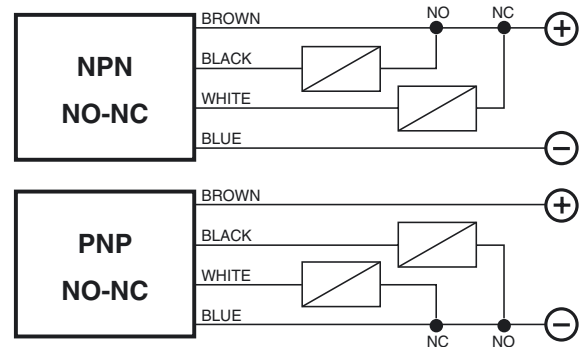
<sup>(2)</sup> Determined with halogen tungsten lamp 3000° K.

Note: for a proper use see norms at pages 14, 15, 16, 17 and 18.

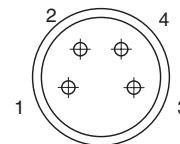
### Dimensions (mm)



### Wiring diagrams



### Connection with connector M8 (K2)



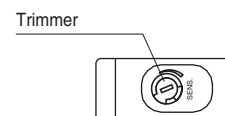
View of quadrupole male connector

### CONTACTS CONFIGURATION

Output	Contacts numbers			
	1	2	3	4
NPN/PNP NO+NC	+	NC	-	NO

### Sensitivity adjustment

- 1) SENSITIVITY INCREASE  
Screw the trimmer towards right towards position "+"
- 2) SENSITIVITY DECREASE  
Screw the trimmer towards left towards position "-"



Note: the trimmer just needs one turn.

### Characteristic curves

POLARIZED RETRO REFLECTIVE Distance X (m)      POLARIZED RETRO REFLECTIVE FOR TRANSPARENT Distance X (m)

