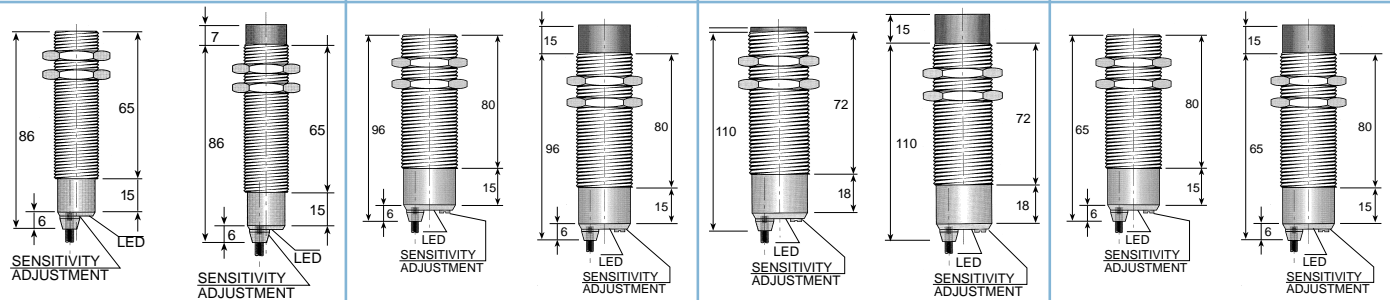


Ex Class II available

CAPACITIVE SENSORS 12-30VDC NPN OR PNP 18-240VAC/DC RELAY OUTPUT IP67

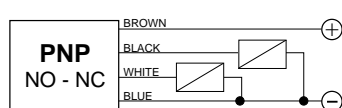
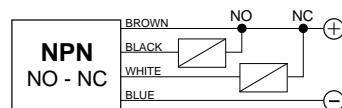
DC Ø 18		DC Ø 30		AC Ø 30		AC Ø 18	
●	○	●	○	●	○	●	○
1-5mm	1-10mm	1-20mm	1-25mm	1-20mm	2-30mm	2-8mm	2-15mm
12-30VDC (-15/+10%) ≤ 10%		12-30VDC (-15/+10%) ≤ 10%		18-230VAC/DC (-15/+10%) 50Hz		20-250VAC (-15/+10%) 50Hz < 9VAC at 300mA	
Depending on the sensing distance 200mA		Depending on the sensing distance 200mA		Depending on the sensing distance 3A 30VAC - 1A 230VAC (Relay Output)		< 15% 300mA	
≤ 20mA at 24VDC ≤ 1.8V (I = 100mA)		≤ 20mA at 24VDC ≤ 1.8V (I = 100mA)		2.5VA		< 5mA	
Present (yellow) Trimmer 9 turns 10Hz < 5%		Present (yellow) Trimmer 9 turns 10Hz < 5%		Present (yellow) Trimmer 9 turns 10Hz < 5%		Yes Yes 25Hz < 5%	
Present		Present				Yes	
Against polarity reversal - inductive loads		Against polarity reversal - inductive loads					
-25 to +70 °C		-25 to +70 °C		-25 to +70 °C		-25 to +70 °C	
2m		2m		2m		2m	
4 x 0.25mm ²		4 x 0.25mm ²		6 x 0.30mm ²		3 x 0.25mm ²	
Nickel plated brass		Nickel plated brass		Nickel plated brass		Nickel plated brass	
160g		250g		250g		250g	

LIMIT & PRESSURE SWITCHES & SENSORS



CS-07*	CS-13*	CS-09*	CS-15*				
CS-08*	CS-14*	CS-10*	CS-16*				
				CS-31 *CS-31TE	CS-32 *CS32TE		
						AC	
						N/O	CCM1-1808A-A3L2 CCM2-1815A-A3L2
						N/C	CCM1-1808A-B3L2 CCM2-1815A-B3L2

*For ATEX approved add **-EX** to code (Ex-Class II)



*with 1s-5m time activating delay.

Relay Output

