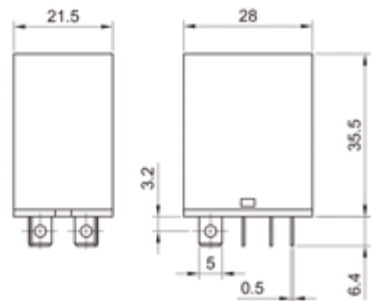
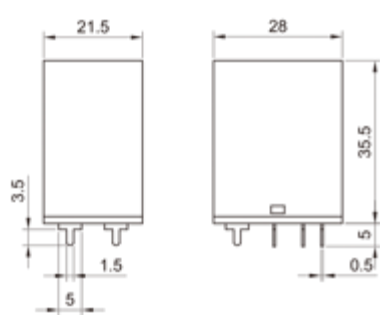


Dimension(unit:mm)

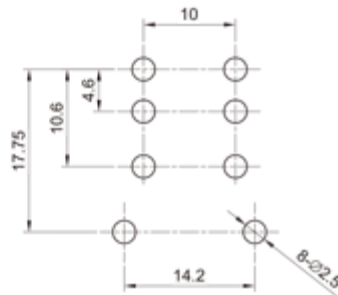
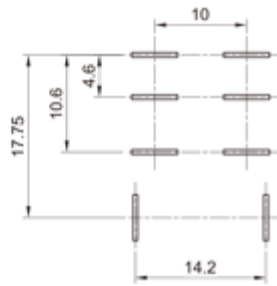
Quick Connect Type



PCB Type

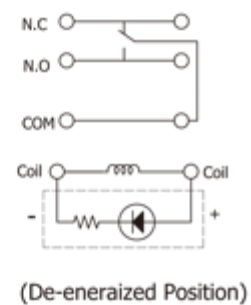


Drilling(unit:mm)

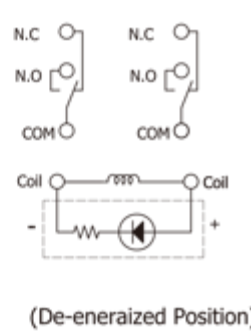


Wiring Diagram

1 From C



2 From C



1.Tolerance ±0.5mm on all dimensions unless otherwise stated.
2. Tolerance ±0.1mm on PCB DRILLING dimension unless otherwise stated.

COIL DATA CHART(at 20°C)

| Nominal voltage | Pick-Up voltage | Drop-out voltage | Nominal current | Coil resistance | Power consumption | Max. allowable voltage |
|-----------------|-----------------|------------------|-----------------|-----------------|-------------------|-------------------------|
| AC Type | | | | | | |
| VAC | VAC(Max.) | VAC(Min.) | mA(+15%,-20%) | ΩW (±10%) | P(VA) | (VAC) |
| 6 | 4.8 | 1.8 | 183.0 | 11.5 | Approx. 1.2VA | 110% of nominal voltage |
| 12 | 9.6 | 3.6 | 91.0 | 46 | | |
| 24 | 19.2 | 7.2 | 46.0 | 184 | | |
| 48 | 38.4 | 14.4 | 24 | 735 | | |
| 110 | 88.0 | 33.0 | 11 | 3900 | | |
| 120 | 96.0 | 36.0 | 9.8 | 4550± 15% | | |
| 220 | 176 | 66 | 4.2 | 14400± 15% | | |
| 240 | 192 | 72 | 5.5 | 15210± 15% | | |
| DC Type | | | | | | |
| VDC | VDC(Max.) | VDC(Min.) | mA(10%) | W (±10%) | P(W) | (VDC) |
| 6 | 4.8 | 0.6 | 150 | 40 | Approx. 0.9W | 110% of nominal voltage |
| 12 | 9.6 | 1.2 | 75 | 160 | | |
| 24 | 19.2 | 2.4 | 37.2 | 650 | | |
| 48 | 38.4 | 4.8 | 18.8 | 2560± 15% | | |
| 110 | 88 | 11.0 | 8.2 | 13444± 15% | | |
| 220 | 176 | 22.0 | 4.1 | 53778± 15% | | |

Contact Rating

| Arrangement / Item | TRL -1C (SPDT) | TRL -2C(DPDT) |
|------------------------|-------------------------|-------------------------|
| Rated load | 15A 277VAC 15A 28VDC | 10A 277VAC 10A 28VDC |
| Carrying current | 15A | 10A |
| Max. switching voltage | 300VAC, 30VDC | |
| Max. switching current | 15A | 10A |
| Max. switching power | 4155VA, 420W | 2770VA, 280W |
| Min. permissible load | 5VDC 100mA | |
| Contact material | AgCdO | |

Performance(at initial value)

| | |
|-------------------------------------|---|
| Arrangement / Item | TRL |
| Contact Resistance | Max. 100mΩ |
| Operation time (at nominal voltage) | Max. 25msec |
| Release time (at nominal voltage) | Max. 25msec |
| Operating frequency | 20 ops/minute |
| Insulation resistance | Min. 100MΩ (at 500VDC) |
| Vibration resistance | Functional : 6G 10 to 55 Hz, at double amplitude of 1mm Destructive : 12G 10 to 55 Hz, at double amplitude of 2mm |
| Shock resistance | Functional : Min, 20G Destructive : Min, 100G |
| Dielectric strength | 1500VAC. for 1minute between coil and contact. 750VAC. for 1minute between contact sets. 750VAC. for 1minute between open contacts. |
| Ambient temperature | -40°C to +70°C |
| Humidity | 40% to 85% RH |
| Life expectancy | Mechanical : 1 x 10 ⁷ operations Electrical : 2 x 10 ⁵ operations (at rated load) |
| Weight | abt 37grs. |
| UL & cUL | E156521 |