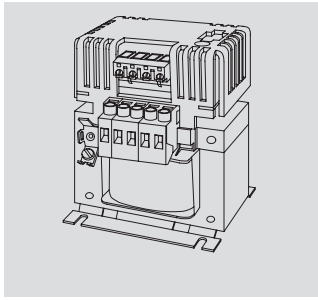


Unregulated power supplies

Compact power 1-phase



CP NT 36



CP NT 72



CP NT 144



Technical data

Input

Input voltage
Input current
Frequency
No load input current
Ext. back-up fuse
Max. connection range

230 V/ 400 V/ +/- 15V
0.35 A/ 0.2 A
50/ 60 Hz
0.1A / 0.06A
0.63At / 0.315At
2.5 mm²

230 V/ 400 V/ +/- 15V
0.56 A/ 0.32 A
50/ 60 Hz
0.13A / 0.08A
0.1 At / 0.63 At
2.5 mm²

230 V/ 400 V/ +/- 15V
0.95 A/ 0.55 A
50/ 60 Hz
0.33A / 0.19A
1.6At / 1.0At
2.5 mm²

Output

Output voltage
Output current at 40°C
Output current at 55°C
Max. output power
Residual ripple
Back-up fuse, max.
Protective circuit
Max. connection range

24 V SELV
1.50A
1A
36W
< 5 %
3 At flat plug-in fuse
varistor
4 x 2.5 mm² (flexible)
4 x 4.0 mm² (solid)

24 V SELV
3A
2.50A
72W
< 5 %
7.5 At flat plug-in fuse
varistor
4 x 2.5 mm² (flexible)
4 x 4.0 mm² (solid)

24 V SELV
6A
5A
144W
< 5 %
10 At flat plug-in fuse
varistor
4 x 2.5 mm² (flexible)
4 x 4.0 mm² (solid)

Insulation coordination

Shock protection
Insulation strength
Insulation class
Protection class
Protection class

according to VBG4
4 kV
B
IP20
1

according to VBG4
4 kV
B
IP20
1

according to VBG4
4 kV
B
IP20
1

General data

Operation temperature
Storage temperature
Degree of efficiency
Mounting position horizontal
Mounting position arbitrary
Status display
Weight
Low voltage directive
Standards
Mounting rail mountability
Approvals
EMC standards

-20 °C...+55 °C
-20 °C...+80 °C
80%
1A @ 55 °C; 1.5A @ 40 °C
1A @ 40 °C
LED green
1.5kg
72/ 23/ EWG
EN 60950, EN 61558-2-4, -6
Direct assembly, TS 35 with clip-in plate
CE / cURus / UL/LIST
EN 50081-1, 2; EN 61000-6-2, 3; EN 50082-1

-20 °C...+55 °C
-20 °C...+80 °C
83%
2.5A @ 55 °C; 3A @ 40 °C
2.5A @ 40 °C
LED green
2.1kg
72/ 23/ EWG
EN 60950, EN 61558-2-4, -6
Direct assembly, TS 35 with clip-in plate
CE / cURus / UL/LIST
EN 50081-1, 2; EN 61000-6-2, 3; EN 50082-1

-20 °C...+55 °C
-20 °C...+80 °C
88%
5A @ 55 °C; 6A @ 40 °C
5A @ 40 °C
LED green
3.1kg
72/ 23/ EWG
EN 60950, EN 61558-2-4, -6
Direct assembly, TS 35 with clip-in plate
CE / cURus / UL/LIST
EN 50081-1, 2; EN 61000-6-2, 3; EN 50082-1

Clamping range (rating- / min. / max.) mm²
Length x width x height mm

68.0 x 78.0 x 123.0

85.0 x 84.0 x 125.0

92.0 x 96.0 x 135.0

Information

Ordering data

Type	(Qty.=1)	Order No.
CP NT 36W 24V 1.5A		8575260000

Type	(Qty.=1)	Order No.
CP NT 72W 24V 3A		8575270000

Type	(Qty.=1)	Order No.
CP NT 144W 24V 6A		8575280000

Information

Accessories

Information

Clip-in plate for TS35: 8588900000

Clip-in plate for TS35: 8588900000

Clip-in plate for TS35: 8588900000

Articles with coloured order number are kept permanently in stock at the central warehouse in Germany. Delivery times see page X.2

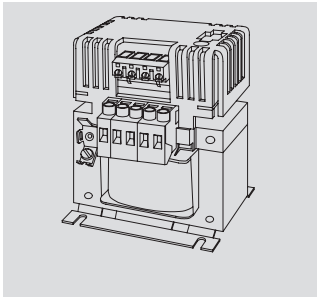
Unregulated power supplies

Compact power 1-phase

CP NT 192

CP NT 264

CP NT 432



Technical data

Input

Input voltage
Input current
Frequency
No load input current
Ext. back-up fuse
Max. connection range

230 V/ 400 V/ +/- 15V
1.3 A/ 0.7 A
50/ 60 Hz
0.3A / 0.16A
2.0At / 1.25At
2.5 mm²

230 V/ 400 V/ +/- 15V
1.8 A/ 1 A
50/ 60 Hz
0.5A / 0.28A
3.15At / 1.6At
2.5 mm²

230 V/ 400 V/ +/- 15V
2.5 A/ 1.3 A
50/ 60 Hz
0.54A / 0.31A
4.0At / 2.0At
2.5 mm²

Output

Output voltage
Output current at 40°C
Output current at 55°C
Max. output power
Residual ripple
Back-up fuse, max.
Protective circuit
Max. connection range

24 V SELV
8A
7A
192W
< 5 %
15 At flat plug-in fuse
varistor
4 x 2.5 mm² (flexible)
4 x 4.0 mm² (solid)

24 V SELV
11A
10A
264W
< 5 %
Thermal switch
varistor
4 x 2.5 mm² (flexible)
4 x 4.0 mm² (solid)

24 V SELV
18A
15A
432W
< 5 %
Thermal switch
varistor
4 x 2.5 mm² (flexible)
4 x 4.0 mm² (solid)

Insulation coordination

Shock protection
Insulation strength
Insulation class
Protection class
Protection class

according to VBG4
4 kV
B
IP20
1

according to VBG4
4 kV
B
IP20
1

according to VBG4
4 kV
B
IP20
1

General data

Operation temperature
Storage temperature
Degree of efficiency
Mounting position horizontal
Mounting position arbitrary
Status display
Weight
Low voltage directive
Standards
Mounting rail mountability
Approvals
EMC standards

-20 °C...+55 °C
-20 °C...+80 °C
90%
7A @ 55 °C; 8A @ 40 °C
7A @ 40 °C
LED green
4.3kg
72/ 23/ EWG
EN 60950, EN 61558-2-4, -6
Direct assembly
CE / cURus / UL/LIST
EN 50081-1, 2; EN 61000-6-2, 3; EN 50082-1

-20 °C...+55 °C
-20 °C...+80 °C
93%
10A @ 55 °C; 11A @ 40 °C
10A @ 40 °C
LED green
6.1kg
72/ 23/ EWG
EN 60950, EN 61558-2-4, -6
Direct assembly
CE / cURus / UL/LIST
EN 50081-1, 2; EN 61000-6-2, 3; EN 50082-1

-20 °C...+55 °C
-20 °C...+80 °C
95%
15A @ 55 °C; 18A @ 40 °C
15A @ 40 °C
LED green
9.1kg
72/ 23/ EWG
EN 60950, EN 61558-2-4, -6
Direct assembly
CE / cURus / UL/LIST
EN 50081-1, 2; EN 61000-6-2, 3; EN 50082-1

Clamping range (rating- / min. / max.) mm²
Length x width x height mm

105.0 x 105.0 x 145.0

113.0 x 120.0 x 165.0

135.0 x 135.0 x 185.0

Information

Ordering data

Type	(Qty.=1)	Order No.
CP NT 192W 24V 8A		8575300000

Type	(Qty.=1)	Order No.
CP NT 264W 24V 11A		8575310000

Type	(Qty.=1)	Order No.
CP NT 432W 24V 18A		8575320000

Information

Accessories

Information

Articles with coloured order number are kept permanently in stock at the central warehouse in Germany.
Delivery times see page X.2