

THE SERIES

The wide range of auxiliary functions available completes the excellent performances offered by the microprocessor-based controllers of the THE series, with standard 48x96 mm format and single and double display versions.

The main PID control action adjusts itself automatically to the optimum parameters with the AT initial autotuning, or with the ADT permanent autoadaptive function; while the auxiliary outputs can be programmed on 16 different alarm functions or fixed points.

The LFA diagnostic function is able to detect failures along the entire regulation loop, from the sensor to the actuator; moreover the regulation can be either automatic (closed loop) or manual (open loop), setting the output percentual value.

The complete programming of the controllers is made through the front panel, with the possibility of including a 3 level software safety lock.



SENSOR

HIGHLIGHTS

- Main control output with 1 or 2 auxiliary outputs
- PID action with AT autotuning and ADT autoadaptive functions
- Complete diagnostic of the regulation loop
- Automatic or manual regulation of the output

APPLICATIONS


Packaging lines



Process control



TECHNICAL DATA

Power Supply	12-24 Vac/Vdc $\pm 10\%$ version or 80-240 Vac $\pm 10\%$ version
Consumption	5 VA max.
Sensor input	selectable between E, J, K, L, R, S, T thermocouples and Pt100W/0°C RTDs
Measurement scale	selectable in °C or °F scales with lower and upper limits, refer to table 1
Precision	thermocouple measurement $\pm 0,4\%$ f.s.
	RTD measurement $\pm 0,3\%$ f.s.
	temperature drift 0,01% f.s. / °C of ambient
	temperature setting and indication ± 1 digit
Data updating	input, output and indication every 500 ms
Data retention	non volatile eeprom memory
Keyboard correction indication	from -99,9 to +99,9 °C/°F
1st point control action	on/off or PID automatic or manual selection, maximum or minimum, with AT initial autotuning and ADT permanent autoadaptive function
Proportional band	20°C (sel. from 1 to 999 °C/°F)
Integral time	120 sec. (sel. from 0 to 960 sec.)
Derivative time	30 sec. (sel. from 0 to 240 sec.)
Cycle time	12 sec. (sel. from 1 to 120 sec.)
On/off hysteresis	± 1 °C (sel. from $\pm 0,1$ o $\pm 99,9$ ° C/°F)
1st point output type	relay SPDT 250 Vac, 5 A version
	trans. PNP 15 Vdc $\pm 20\%$ version
	20 mA short-circuit protection
2nd/3rd point alarm action	selectable alarm setting from -999 to +999 °C/°F respect to 1st point, or fixed point setting on selected scale, refer to table 2
2nd point output type	relay SPDT 250 Vac, 5 A
3rd point output type	relay SPST 250 Vac, 5 A
Auxiliary functions	LFA Loop Failure Alert diagnostic function, digital filter with an average of 10 measures, SW program LOCK with 3 levels
Setting	PROG, SET, UP, DOWN, AUTO/MAN push-buttons
Indicators	4 digit red display (10mm height), 4 digit green display (7mm height) for ED or 5 LED movement bar (ES), yellow ON1 LED, red ON2 LED, red AUX LED, green LOCK, green MAN LED, green AT LED
Connection	terminal block with 15 screw contacts, electronic block extractable from front panel
Electric protection	class 1
Mechanical protection	IP54 - front panel
	IP20 - housing
	IP10 - contacts
Housing material	ABS
Weight	400 g max.
Operating temperature	-10 ... +55°C
Storage temperature	-20 ... +65°C
Reference standard	EN 61010-1
Certifications	



TABLES

Sensor	°C scale	°F scale
TR int.	-150...450	-200...850
TR dec.	-99,9...450	-99,9...850
TC - E	0...600	0...1100
TC - J	-50...760	-50...1400
TC - K	-100...1250	-150...2300
TC - L	-50...760	-50...1400
TC - S	0...1700	30...3000
TC - R	0...1700	30...3000
TC - T	-100...400	-150...750

Table 1: °C/°F SCALE

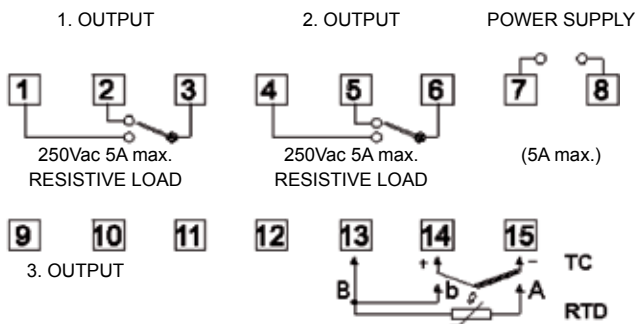
Alarm	Fixed pt	Function
ALx0	FPx0	deactivated
ALx1	FPx1	minimum
ALx2	FPx2	maximum
ALx3	FPx3	neutral zone on
ALx4	FPx4	neutral zone off
ALx5	FPx5	minimum*
ALx6	FPx6	maximum*
ALx7	FPx7	neutral zone on*
ALx8	FPx8	neutral zone off*

Table 2: ALARM FUNCTION

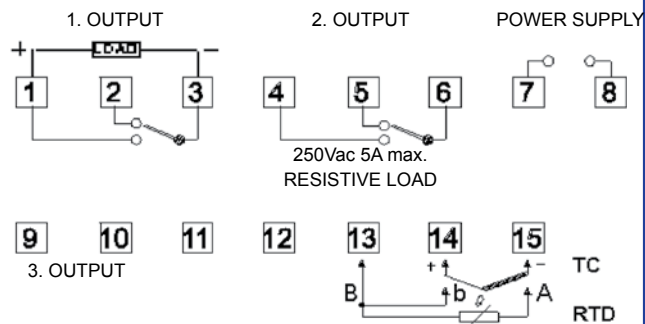
*stand-by: first intervention inhibition

CONNECTIONS

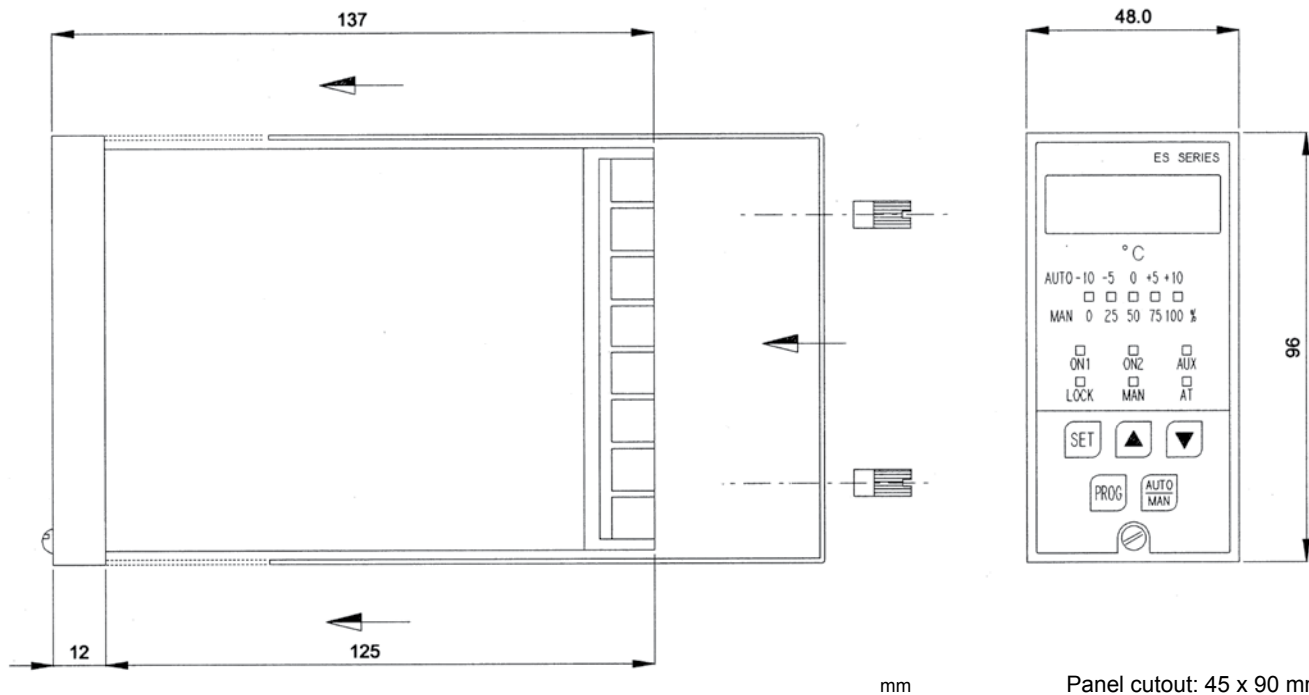
RELAY VERSION



TRANSISTOR VERSION



DIMENSIONS



MODEL SELECTION AND ORDER INFORMATION

MODEL	DISPLAY	POWER SUPPLY	MAIN OUTPUT	POINTS	ORDER N°
ES-000	single	12 ... 24 Vdc/Vac	relay	2	975021000
ES-010	single	12 ... 24 Vdc/Vac	transistor	2	975021010
ES-100	single	80 ... 240 Vac	relay	2	975021020
ES-110	single	80 ... 240 Vac	transistor	2	975021030
ES-001	single	12 ... 24 Vdc/Vac	relay	3	975201060
ES-011	single	12 ... 24 Vdc/Vac	transistor	3	975201070
ES-101	single	80 ... 240 Vac	relay	3	975201110
ES-111	single	80 ... 240 Vac	transistor	3	975201120
ED-000	double	12 ... 24 Vdc/Vac	relay	2	975031000
ED-010	double	12 ... 24 Vdc/Vac	transistor	2	975031010
ED-100	double	80 ... 240 Vac	relay	2	975031020
ED-110	double	80 ... 240 Vac	transistor	2	975031030
ED-001	double	12 ... 24 Vdc/Vac	relay	3	975151070
ED-011	double	12 ... 24 Vdc/Vac	transistor	3	975151080
ED-101	double	80 ... 240 Vac	relay	3	975151120
ED-111	double	80 ... 240 Vac	transistor	3	975151130

The company endeavours to continuously improve and renew its products; for this reason the technical data and contents of this catalogue may undergo variations without prior notice. For correct installation and use, the company can guarantee only the data indicated in the instruction manual supplied with the products.